

DESIGNING AND ENGINEERING THE FUTURE OF YOUR **PRESSURE VESSELS AND STORAGE TANKS**

[**QUALITY SPECIALIZED ENGINEERING
AND DESIGN**

[**ASME SECTION VIII, DIV. 1&2**

[**API STANDARD STORAGE TANKS**

[**ONSITE RESOURCES**

[**PROJECT MANAGEMENT**

[**CONSULTING**

[**TURNKEY EQUIPMENT PROCUREMENT**



VEPIC
Energy & Resources

We make your project goals
ACHIEVABLE, ON TIME and ON BUDGET



OUR GOAL

VEPIC Energy and Resources strives to utilize our highly specialized teams to simplify complex problems, deliver innovative technologies, and yield consistent results for the success of our clients.

WHO WE ARE

VEPIC is a *specialty* engineering company that provides engineering talent in multiple technical disciplines, primarily in the energy sector (up/mid/down stream and power generation). We have been meeting the needs of refineries, petrochemical plants, chemical plants, storage facilities, fabricators, and EPCs for over 14 years.



VEPIC primarily operates its business following **NAICS Codes 541330, 541340 & 541611.**

WHAT WE CAN DO FOR YOU

All your technical needs will be met with our experts in fields ranging from rotating and fixed equipment, to piping and civil/structural components. Beyond engineering, we also provide a wide gamut of services - from project management and procurement services to construction management and inspection.

ENGINEERING

VEPIC have designed tanks all over the world and can design any diameter and height. We provide engineering services for **new or existing** fixed equipment, pressure vessels and storage tanks.

WE ARE EXPERIENCED IN ANY TYPE OF MATERIAL (METAL), PRESSURE AND STRESS.

Our services for aging equipment includes:

- Re-rating & Analysis
- Modifications
- Alterations
- Repairs
- Fitness for Service
- Reconstruction

We provide engineering calculations with the latest software such as *COMPRESSTM*, *SOLIDWORKS[®]* and *PV Elite*. We can also engineer, procure, inspect, and build custom equipment designs with detailed stress analysis, fabrication drawings, PE stamp, and actual pull/load testing. We can also provide facility planning and specifications.

The most common codes we work with are:

- **ASME VIII, Div1&2**
- **ASME 16, 16.5, 30.9, 31.1 & 31.3**
- **API 510, 579, 620, 650, 653**
- **TEMA/ASME UHX**

EQUIPMENT PROCUREMENT

VEPIC is your **one-stop shop** for equipment procurement. We know what to look for to make sure nothing is overlooked during the procurement process and no surprises appear at the end. Our in-house process keeps your equipment procurement on schedule. We offer timely delivery of equipment within budget during peak seasons when resources are low.

Our **turnkey** purchase services mean that all purchase orders are consolidated into one (delivery and installation).

PRESSURE VESSELS

VEPIC provides world-class ASME pressure vessel design, calculations, and fabrication - **from concept to completion**. In the event of an emergency, VEPIC can provide repair and inspection services. Our goal is to provide our clients with an **innovative and cost-effective** solution that protects the integrity and reliability of the pressure vessel.

We provide analysis of existing equipment for continued use, as well as re-rating for service and operating condition changes.

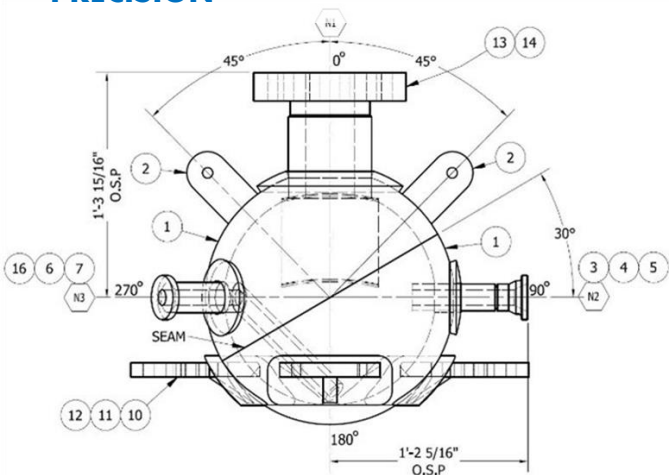
VEPIC also provides detailed engineering analysis of existing equipment that has been damaged due to general corrosion or vessel upsets.

STORAGE TANKS

VEPIC provides a **full range of services** from repair to design, as well as inspections. We have the tools and know-how to assess a piece of equipment, provide solutions, and implement those solutions in the field.

We can provide a fitness-for-service analysis, including the foundation and structural.

Engineering your equipment for **PRECISION**





You can **REST ASSURED** that our inspectors are knowledgeable and thorough

INSPECTION

Our inspectors always carry the latest industry certifications. Under our guidance of specialized engineers, VEPIC inspectors set the standard for inspection and reporting. We use **proprietary testing** and **diagnostic methods** for existing equipment. Inspection on reports are systematic, organized, and consistent. These reports allow for clients to see a repeatable and user-friendly output that clearly identifies concerns with equipment. Typical certifications that are provided with our inspectors are:

- API 510
- AWS
- API 579
- API 653
- CWI

DESIGN & DRAFTING

We design and create **fabrication drawings**, **2D/3D models**, and **isometrics**. Our pressure vessel engineering services also include PE stamped lifting system designs. In locations where real estate is limited, our computer assisted 3D pressure vessel designs allow for precise measurements.

RESOURCES

VEPIC can supply temporary personnel on-site or specialized technologies of rental equipment. All candidates are screened through our own **VTAP™** (VEPIC's talent acquisition process) in their respective fields. You can rest assured our staff has the drive and the expertise to get the job done.



Designing Tanks Since 2006

LET US ENGINEER YOUR NEXT PROJECT

3663 N. Sam Houston Pkwy
Suite 600
Houston, TX 77032



+1 281.706.4341



info@vepic.us



www.vepic.us



Follow us on LinkedIn



VEPIC IS A CERTIFIED
MINORITY-OWNED
COMPANY.

WHEN YOU HIRE US, YOU ARE
HELPING TO CREATE AN ALL-
INCLUSIVE CULTURE AND
EQUAL OPPORTUNITIES.

HABLAMOS ESPAÑOL

OUR TEAM CAN PROVIDE DRAWINGS WITH LABELS IN SPANISH AND READ SPECIFICATIONS IN THE SPANISH LANGUAGE. MOREOVER, OUR TURNKEY SERVICES ARE ALSO AVAILABLE IN SPANISH.